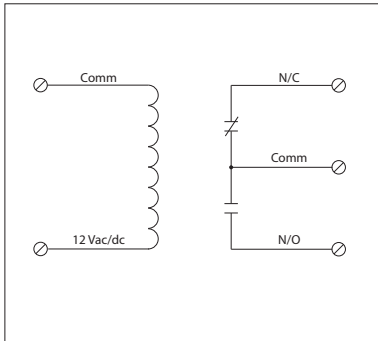


## 15 AMP TRACK MOUNT CONTROL RELAYS

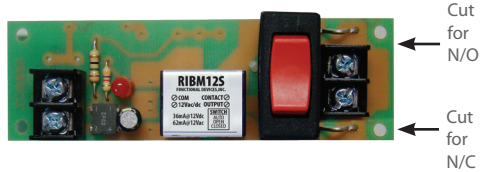
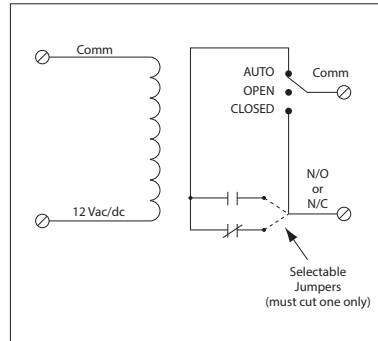
### RIBM12C

4.00" Track Mount Relay 15 Amp SPDT with 12 Vac/dc Coil



### RIBM12S

4.00" Track Mount Relay 15 Amp SPST + Override with 12 Vac/dc Coil



## SPECIFICATIONS

- # Relays & Contact Type:** One (1) SPDT Continuous Duty Coil (RIBM12C)  
One (1) SPST Continuous Duty Coil (RIBM12S)
- Expected Relay Life:** 10 million cycles minimum mechanical
- Operating Temperature:** -30 to 140° F
- Humidity Range:** 5 to 95% (noncondensing)
- Operate Time:** 6ms
- Relay Status:** LED On = Activated
- Dimensions:** 1.250" x 4.000" x 1.750"
- Track Mount:** 4.000", See MT4 Series on page 152  
**MT4 Mounting Track Sold Separately**
- Approvals:** UL Listed, UL916, UL864, C-UL  
California State Fire Marshal
- Gold Flash:** No
- Override Switch:** No (RIBM12C)  
Yes (RIBM12S)

- Contact Ratings:**
- 15 Amp General Use @ 125 Vac
  - 10 Amp General Use @ 277 Vac
  - 10 Amp Resistive @ 30 Vdc (N/O)
  - 7 Amp Resistive @ 30 Vdc (N/C)
  - 1/2 HP @ 125 Vac
  - 1 HP @ 250 Vac
  - 1/4 HP @ 277 Vac
  - C300 Pilot Duty

- Coil Current:**
- 53 mA @ 10 Vac
  - 62 mA @ 12 Vac
  - 29 mA @ 11 Vdc
  - 36 mA @ 12 Vdc

- Coil Voltage Input:**
- 12 Vac/dc ; 50-60 Hz
  - Drop Out = 2 Vac / 2.5 Vdc
  - Pull In = 9 Vac / 11 Vdc

**Notes:**

- Must cut appropriate jumper to select Normally Open or Normally Closed (RIBM12S)